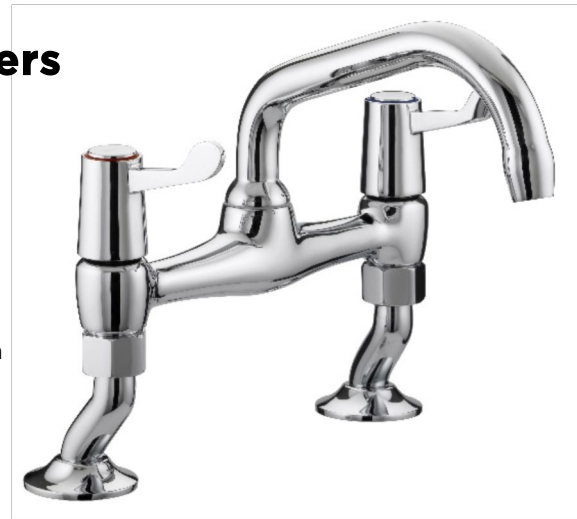


## LEVER

### Pillar Bridge Sink Mixer with 3" Levers

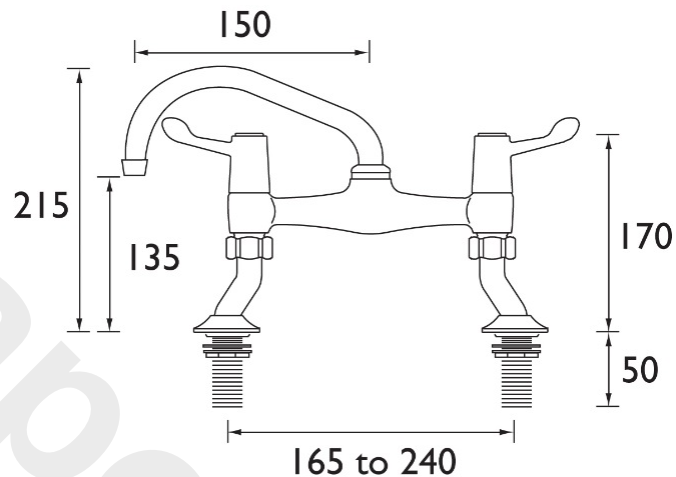
#### Product Specification

|                           |  |
|---------------------------|--|
| <b>Product Code:</b>      | VAL PSNK C CD  |
| <b>Finishes:</b>          | Chrome   |
| <b>Product Type:</b>      | Contemporary   |
| <b>Construction:</b>      | Tap bodies are of all brass construction               |
| <b>Valve Type:</b>        | 1/4 Turn 1/2" ceramic disc valve                       |
| <b>Supply:</b>            | Suitable for all plumbing systems, preferably balanced |
| <b>Inlet Connections:</b> | 1/2" BSP   |
| <b>Water Pressure:</b>    | Min 0.2 bar, Max. 7.0 bar                              |



#### Additional Information

- Dual flow
- Supplied with 3" (76mm) metal levers
- Supplied with metal back nuts
- Chrome plated to BS EN 248



#### Flow Rates (litres per minute)

| System Pressure   | 0.2bar | 0.4bar | 1.0bar | 2.0bar | 3.0bar | 5.0bar |
|-------------------|--------|--------|--------|--------|--------|--------|
| Pillar Sink Mixer | 8.9    | 12.9   | 19.5   | 28.5   | 34.9   | 45.0   |

#### Compliance/Approvals

**WRAS Approval No:** 2003903  
**WRAS Expiry Date:** 31/03/2025

**Technical Advice:** For further information please call 0330 026 6273  
 or email [customercare@bristan.com](mailto:customercare@bristan.com)

**Guarantee:** 5 years covering manufacturing faults.

